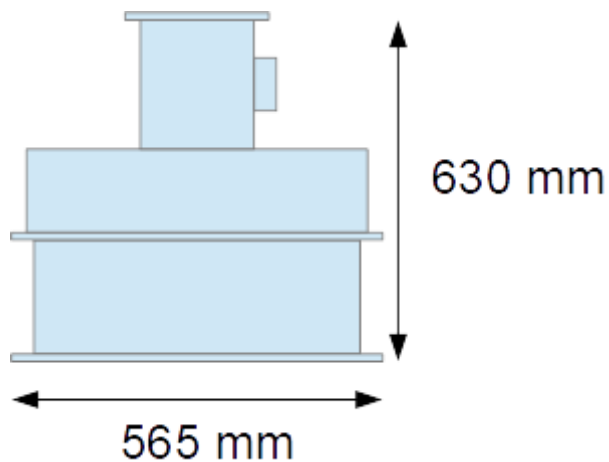




Electromechanical Pakita Siren LCi type



- Weight : 102 kg
- Head in aluminum AS10G
- Asynchronous motor : Three-phase – 4 kW - 230V/400V – 2750 rpm
- Sound power : 120 dBA at 10 meters
- Sound : 380Hz – Sharp F – 3th octave
- Lifting ring spacing \varnothing 535 mm and attachment hole spacing \varnothing 465 mm or \varnothing 535 mm
- Options :
 - o Control cabinet (or control box)
 - o A set of 8 galvanized loudspeaker horns
 - o Proximity switch disconnecter
 - o Elevating base \varnothing 495X330 mm