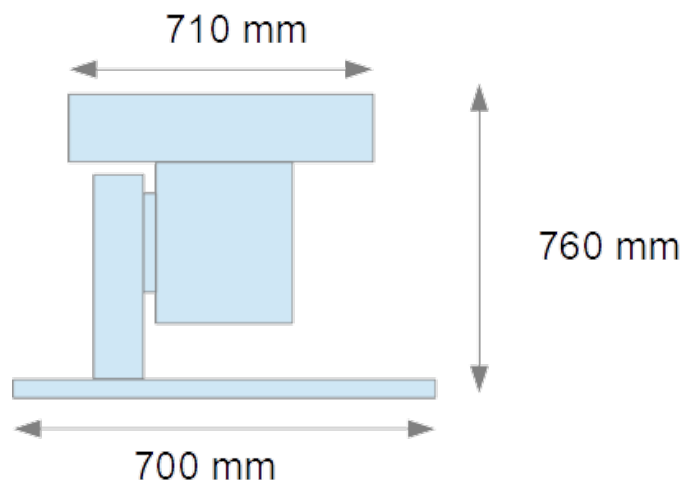




## Electromechanical Warning Pakita Siren type DS3AG with ATEX Motor



- Weight: 210 kg
- Siren Head made with Aluminum AS10G
- Asynchronous ATEX motor - 9 kW – Three-phase 230V/400V – 2750 rpm
- Sound Power: 125/130 dBA at 10 meters
- Sound: 380Hz – Sharp F - 3<sup>rd</sup> octave
- Lifting rings and fixture whole (Ø 670 mm)
- Options:
  - Control Cabinet
  - Proximity Shut Off switch