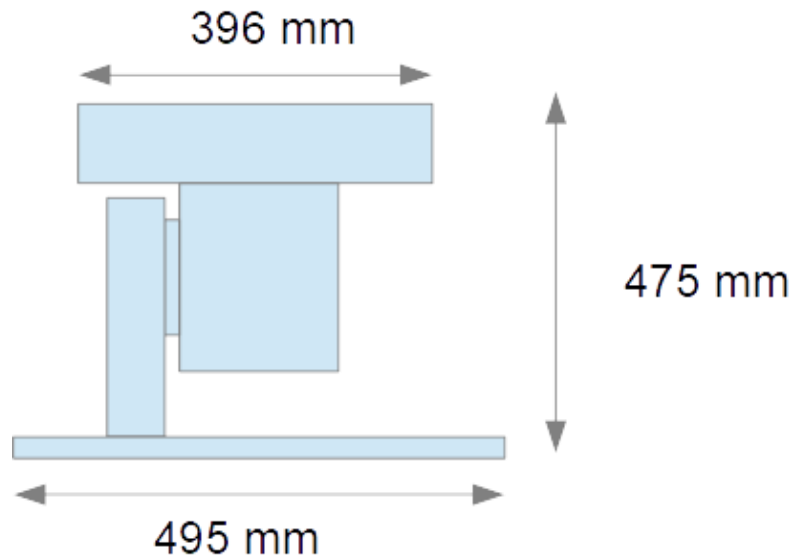




Electromechanical single-phase Pakita Siren PP type



- Weight : 36 kg
- Head in Aluminum AS10G
- Asynchronous motor : single-phase 1,1 kW - 230V – 2750 rpm
- Sound power : 105 dBA at 10 meters
- Sound : 570Hz – Flat D - 4th octave
- Lifting ring and attachment hole (\varnothing 10mm) with \varnothing 465 mm (distance between two opposing holes across the axe)
- Options :
 - Control Box or Control Cabinet
 - Single-phase motor 230V – 50 Hz
 - Proximity switch disconnecter
 - Elevating base \varnothing 495X330 mm