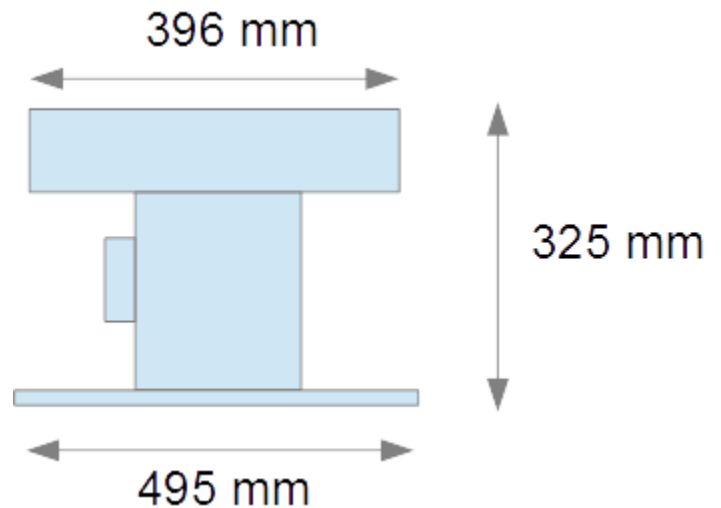




Electromechanical PAKITA Siren PP type



- Weight : 40 kg
- Head in Aluminum AS10G
- Three-phase asynchronous motor : 1,1 kW - 230V/400V – 2750 rpm
- Sound Power : 105 dBA at 10 meters
- Sound : 570 Hz - Flat D – 4th octave
- Lifting ring and attachment hole (\varnothing 10mm) with \varnothing 465 mm (distance between two opposing holes across the axe)
- Options :
 - o Control Box or Control Cabinet
 - o Single-phase motor 230V – 50 Hz
 - o Proximity switch disconnecter
 - o Elevating base \varnothing 495X330 mm