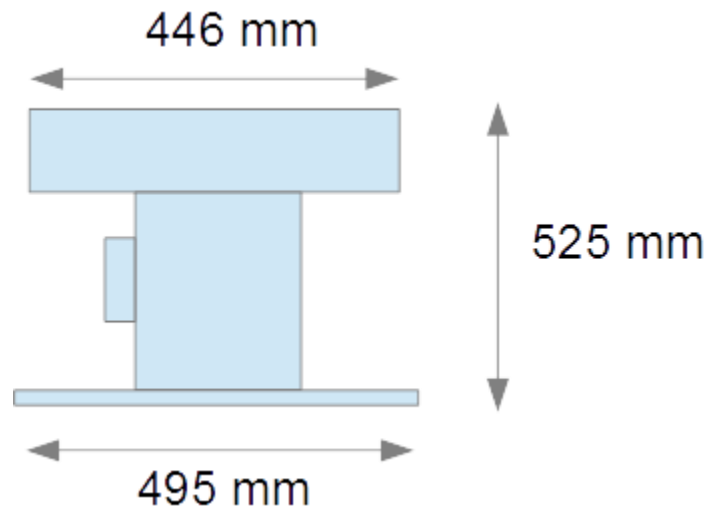




Electromechanical Pakita Siren LM type



- Weight : 54 kg
- Head in Aluminum AS10G
- Asynchronous motor 2,2 kW – three-phase 230V/400V – 2750 rpm
- Sound power: 115 dBA at 10 meters
- Sound : 380Hz - Sharp F - 3th octave
- Lifting ring and attachment hole with \varnothing 465 mm (distance between two opposing holes across the axe)

- Options :
 - Control Box or Control Cabinet
 - Set of 8 loudspeaker horns
 - Single-phase motor 2,2 kW - 230V – 50 Hz
 - Proximity switch disconnecter
 - Elevating base \varnothing 495X330 mm