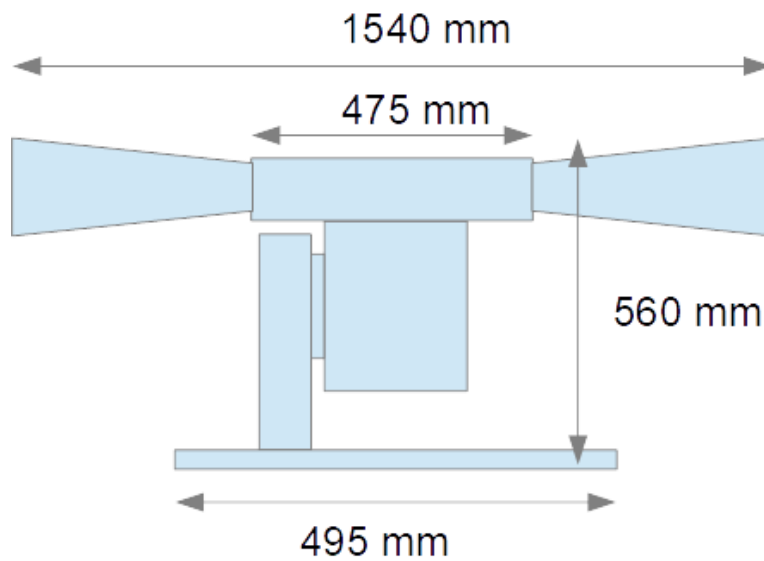




## Electromechanical Pakita Siren Single-phase LM type with Horns



- Weight : 81 kg (with horns)
- Head in Aluminum AS10G
- Single-phase motor 230V – 2750 rpm – 50 Hz
- Sound Power : 115 dBA at 10 meters
- Sound : 380Hz – Sharp F - 3<sup>rd</sup> octave
  
- Options :
  - Elevating base
  - Hot-dipped galvanized loudspeaker horns
  - Navy Blue paint