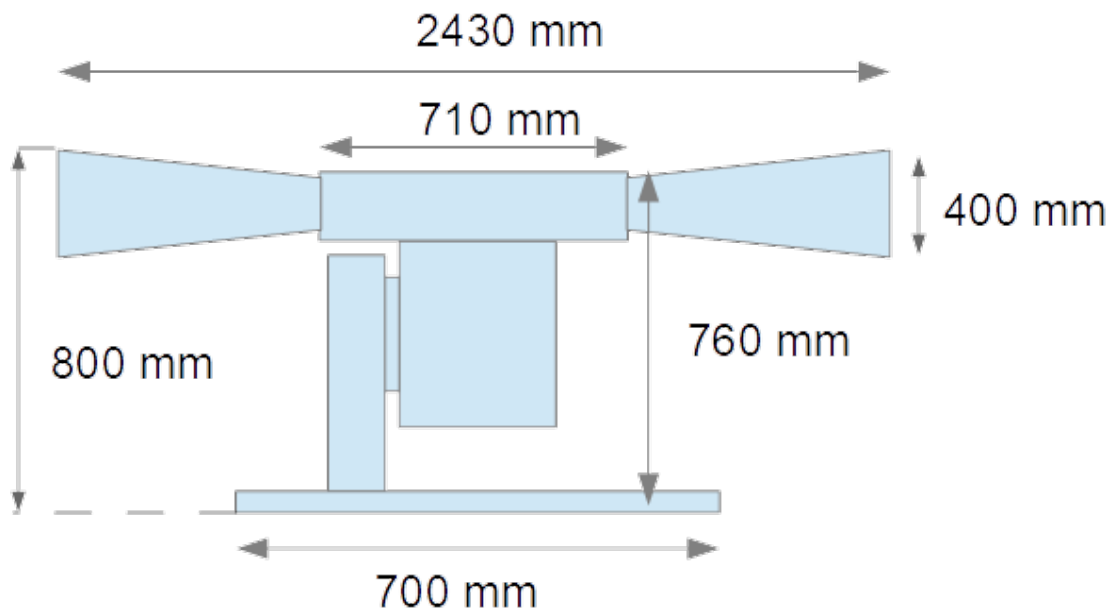




## Electromechanical Warning Pakita Siren type DS3AP With ATEX Motor (Cemp Brand)



- Weight : approx. 280 kg (with amplifier loudspeaker horns)
- Siren head made of Aluminum AS10G
- Asynchronous ATEX motor : 9 kW – Three-phase 230V/400V – 2750 rpm
- Sound Power : 125/130 dBA at 10 meters
- Sound : 380Hz - Sharp F – 3rd octave
- Lifting rings and fixture whole ( $\varnothing$  670 mm)
- Options :
  - o Control Cabinet
  - o Proximity switch disconnecter