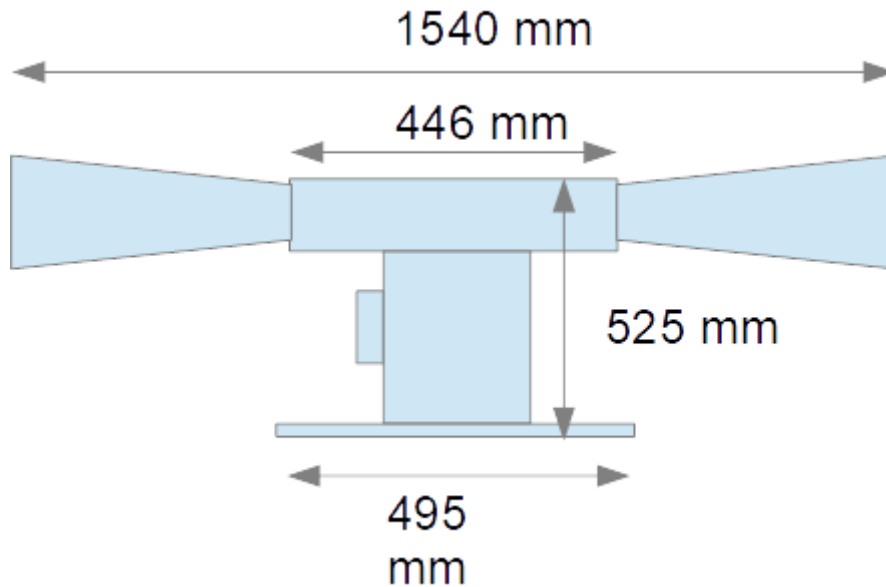
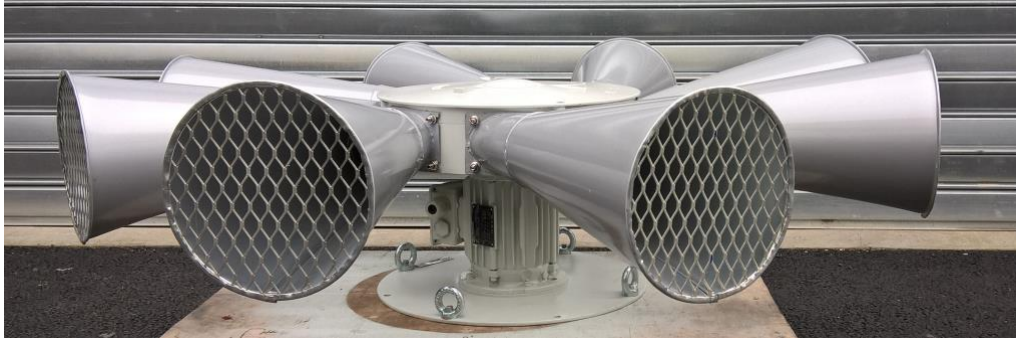




Electromechanical Pakita siren LM type with horns



- Weight : 76 kg
- Head in Aluminum AS10G
- Asynchronous motor 2,2 kW – three-phase 230V/400V – 2750 rpm
- Sound power : 115 dBA at 10 meters
- Sound : 380Hz - Sharp F – 3rd octave
- Lifting ring and attachment hole with \varnothing 465 mm (distance between two opposing holes across the axe)

- Options :
 - o Control Box or Control Cabinet
 - o Single-phase motor 2,2 kW - 230V – 50 Hz
 - o Proximity switch disconnecter
 - o Elevating base \varnothing 495X330 mm